

MULTI POINT LOCK DOOR SETS

**STEP-BY-STEP ILLUSTRATED
ASSEMBLY INSTRUCTIONS**

Multi point lock pre hung residential door assembly instructions.

Please read this complete set of instructions before starting the installation and only when you understand the complete construction method start to follow the step by step guide.

Fitting sequence summary.

1. Preparing the opening.
2. Remove the packaging, unlock the door and remove it from the frame.
3. Remove the hardware from the door and frame.
4. Finish the door and frame.
5. Fit the hardware and re hang the door in the frame.
6. Offer the complete door set into the opening and wedge it securely in place.
7. Remove the door from the frame and secure the frame.
8. Re hang the door. Fit the threshold and deflector.

1. Preparing the opening.

It is strongly recommended that old doors and windows should not be removed until all the new materials are on site. This avoids the house being open and insecure for a longer period of time than necessary.

The door frame must be fitted under a door lintel which extends at least 150mm on to brickwork at both sides of the opening. This must be checked before the opening is prepared and any old frames removed. If an existing lintel is not sufficiently wide, then a new lintel will need to be installed.

The external frame dimensions for a 78" x 30" door are 856mm wide x 2074mm high.

The external frame dimensions for a 78" x 33" door are 932mm wide x 2074mm high.

The external frame dimensions for a 80" x 32" door are 907mm wide x 2125mm high.

The brickwork dimensions should be approximately 8mm larger than the external frame dimensions to allow for square fixing of the frame.

A clean and square opening must be prepared. Any wall cavity, which has been opened, must be closed, incorporating a damp proof course. Check that a damp proof course is in place at the sill level. If not, one will need to be installed.

2. Remove the packaging, unlock the door and remove it from the frame.

Your door has been supplied hung in the frame. The multi point locking system has been fitted holding the door in the closed position.

Use one of the handles and the spindle to open the door, by pushing the handle downwards which will release the locking mechanism, allowing the door to open. Remove the handle and spindle. Refer to diagram 1. Remove the door from the frame by simply lifting the door up off the lift off hinges.

3. Remove the hardware from the door and frame. Refer to diagram 2 and 3.

Before the frame and the door are fitted, all components must be stained in accordance with the finishing instructions.

Remove the locking bar from the door edge by undoing the screws and lifting the bar out. (Only 4 screws have been fitted, diagram 2).

Remove the timber packing from the underside of the door. (Do not throw the timber away), diagram 2.

Remove the hinge plates from the door and frame.

Remove the keeps and latch plate from the frame by undoing the screws, diagram 3.

Remove the weather seals from the frame jambs and head, diagram 4.

If necessary remove the sill horns, so that both the ends of the sill are flush to the frame jambs, diagram 4.

4. Finishing the door and the frame.

All timber surfaces on the door and frame must be given a total of three coats of high performance woodstain. It is important to apply the treatment to the doors and frame before they are installed.

Failure to treat all the timbers surfaces before installation may lead to excessive changes in moisture content which will cause the timber to shrink or swell, perhaps causing splits and distortion.

When applying the stain pay particular attention to sealing the timber end grain on the top and bottom of the frame and door and the ends of the sill.

Also ensure that the lock, hinge cut outs and letter plate cut out are stained the same as the other timber surfaces, and in particular the undersides (unseen faces).

These doors are not suitable for the use of varnish, wax, polish and oil finishes.

If you have purchased a White primed door set you should finish the door and frame using a solvent based undercoat and top coat (usually a gloss). You should always apply a minimum of 3 top coats (primer and undercoat are non protective coats). If your chosen finish manufacturers state a different amount of coats then please ensure you follow the instructions for the product in full.

5. Fit the hardware and re hang the door in the frame.

Re fit the hinge plates to the door and frame in their original positions, using all 4 screws per hinge plate, diagram 2.

Re fit the locking bar to the door edge using all 14 screws, except in the hole position shown in diagram 2.

Fit the letter plate into the door (if required), referring to the fitting instructions supplied with the letter plate.

Re fit the timber packing to the underside of the door, diagram 2.

Fit the cylinder lock, spindle and handles, diagram 5.

Re fit the hook keeps and latch plate into the frame. Ensure that the hook keeps are fitted the correct way around with the open side of the top keep facing the top and the open side of the bottom keep facing the bottom, diagram 3.

Re fit the weather seals into the frame, diagram 4.

6. Offer the complete door set into the opening and wedge it securely in place.

Offer the frame into the prepared opening. Check that the sill is level and the jambs are vertical from side to side and from back to front. Check that the frame diagonal dimensions are the same.

Use wooden or plastic wedges to hold the frame in the correct position directly above the door jambs and close to the vertical ends of the jambs to avoid bending the frame and trapping the door. See diagram 6. Slip packings into the gap between the frame and the wall ready to take the permanent fixings a maximum of 150mm from the top and bottom corners and equally spaced. Take care not to bend the jambs in the process. Check for a uniform gap between the door and the frame across the head and down the locking edge of the door.

7. Remove the door from the frame and secure the frame.

Open the door to 90 degrees and lift the door up off the lift off hinges without disturbing the frame

Secure the frame to the brickwork opening using a suitable size of frame fixer, (not supplied). 8 x 120mm frame fixers are suitable in most cases.

Drill and countersink a minimum of five 8mm diameter holes into each of the jambs, a maximum of 100mm from the top and bottom corners and equally spaced.

When tightening the screws use wooden/plastic packings (not supplied) to prevent the frame from distorting.

Ensure that the screw heads are below the timber surface. Refer to diagram 6.

8. Fit the threshold and deflector and re hang the door.

Fit the threshold to the frame sill Diagram 7.

Remove the timber packing from the underside of the door.

Rehang the door onto the hinge plates fixed to the frame. Diagram 9

Close the door in the frame allowing the door latch to engage into the frame keep.

Lift the door handle upwards to operate the hook bolts and dead bolt, ensuring they engage correctly into the keeps.

Fit the rain deflector to the outside bottom edge of the door, diagram 8.

Handle operation.

Moving the handle downwards, operates the latch.

Moving the handle upwards operates the hook bolts and dead bolt.

With the handle in the upwards position it allows the cylinder lock to operate.

HARDWOOD MULTI POINT LOCK DOOR SETS.

NOTE: The illustrated screws in the parts list are not shown at actual size, if unsure of which screw is which, measure the length of each screw.



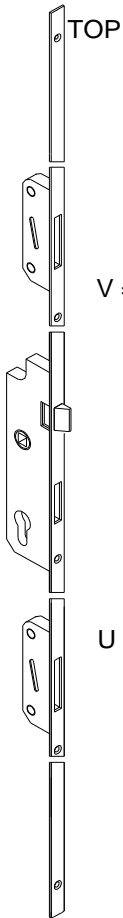
NOTE: Wall fixing screws and plugs are not supplied, only use suitable fixings depending on your wall construction. If in doubt consult an expert.

SCREW LIST. SOME OF THE SCREWS WILL ALREADY BE USED ON THE DOOR SET

Part No.		Screw size	Quantity supplied
2		No.8 x 35mm screw	Qty = 27
4		No.6 x 35mm screw	Qty = 14
3		No.8 x 30mm screw	Qty = 8
12		Seal	Qty = 3 lengths

HARDWARE PARTS LIST. SOME OF THE HARDWARE WILL BE TEMPORARILY FITTED TO THE DOOR SET

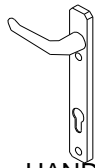
M = LATCHED DOOR LOCK X 1



V = LATCH KEEP

U = HOOK KEEP x 2

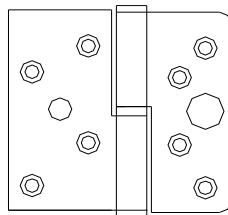
W = ALUMINIUM THRESHOLD



O = HANDLE x 2
(WITH MACHINE SCREWS & SPINDLE)



P = CYLINDER
(WITH MACHINE SCREW & KEYS)



R = RAIN DEFLECTOR
(with screws)

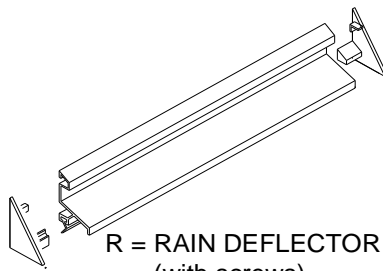


DIAGRAM 1

USE THE HANDLE AND SPINDLE TO OPEN THE DOOR

Prior to fitting your new door set you must treat the door with a high performance woodstain or Full paint system. To remove the door from the frame simply open the door to 90 degrees from the frame and lift the door off the hinges (hinges are security lift off hinges)

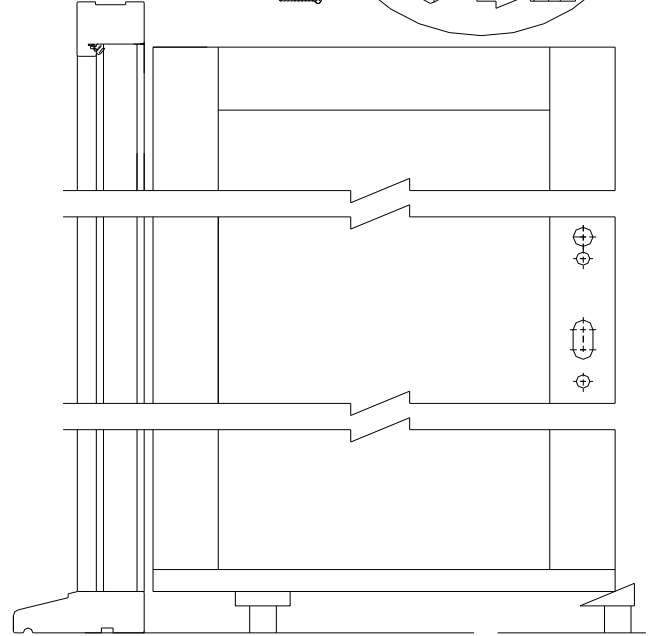
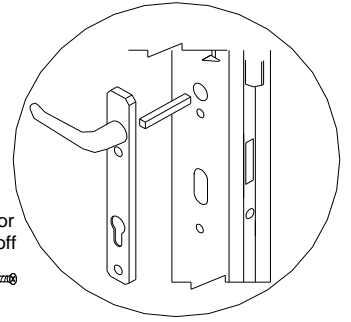
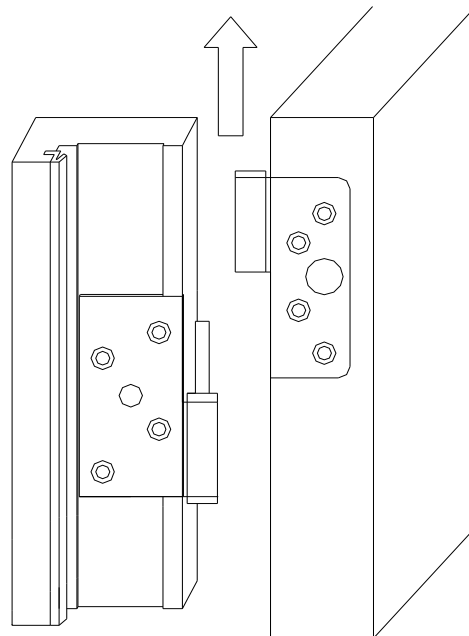


DIAGRAM 9

LIFT OFF HINGES

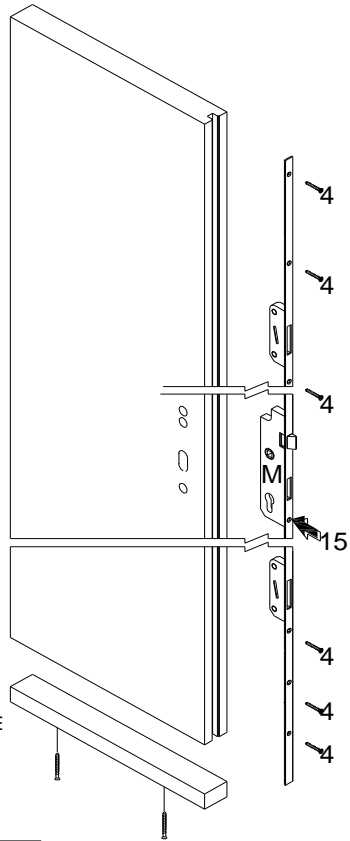


PREMIUM TIMBER.

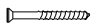
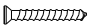
THIS DRAWING IS THE PROPERTY OF PREMIUM TIMBER. ALL RIGHTS RESERVED. NO PART OF THIS DRAWING MAY BE REPRODUCED OR TRANSMITTED IN ANY FORM WITHOUT THE PERMISSION OF THE COPYRIGHT HOLDER.

DIAGRAM 2

LEFTHAND HUNG DOOR SHOWN

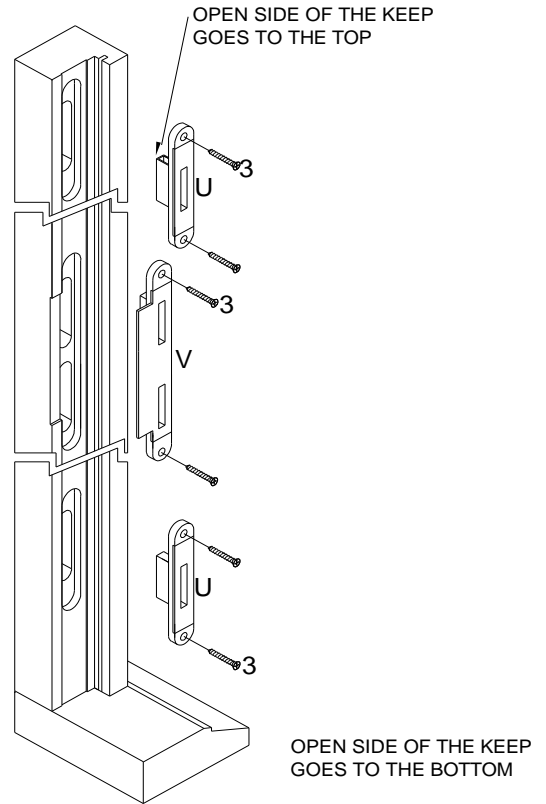


TIMBER PACKING REMOVED FROM THE UNDERSIDE OF THE DOOR

4		x 14
2		x 27

WHEN REFITTING THE LOCK SCREW 4 GOES IN EVERY HOLE EXCEPT AT POSITION 15

DIAGRAM 3



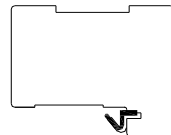
OPEN SIDE OF THE KEEP GOES TO THE TOP

OPEN SIDE OF THE KEEP GOES TO THE BOTTOM

3		x 6
---	---	-----

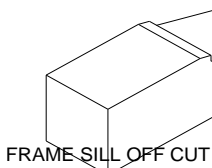
DIAGRAM 4

FRAME SECTION



FRAME HEAD

CUT OFF THE SILL HORNS IF NECESSARY TO FIT THE EXISTING OPENING



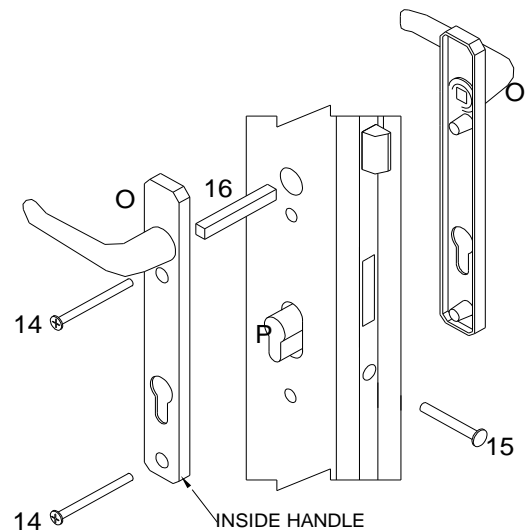
FRAME JAMB

FRAME SILL

12		x 3 lengths
----	---	-------------

DIAGRAM 5

DIAGRAM SHOWS A LEFTHAND HUNG DOOR



INSIDE HANDLE



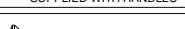
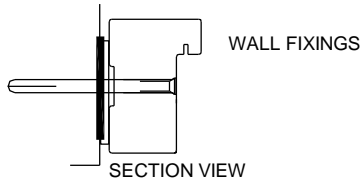
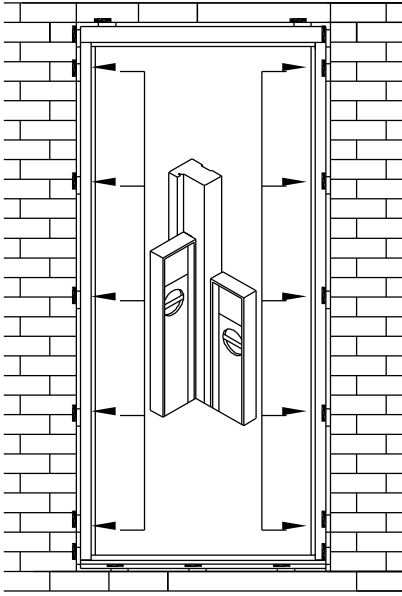
15		x 1	CYLINDER MACHINE SCREW <small>SUPPLIED WITH CYLINDER</small>
16		x 1	SPINDLE <small>SUPPLIED WITH HANDLES</small>
14		x 2	HANDLE MACHINE SCREWS <small>SUPPLIED WITH HANDLES</small>

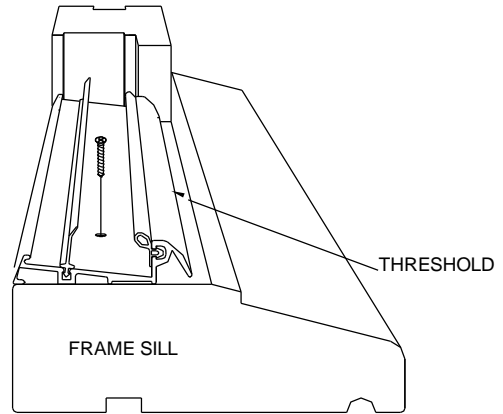
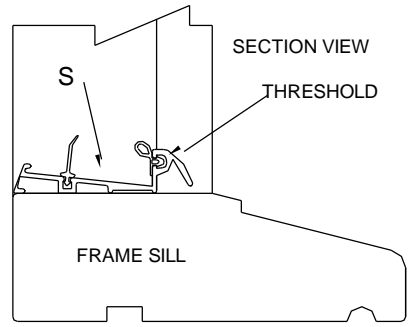
DIAGRAM 6

⚠ THE FRAME MUST BE SECURED IN THE OPENING PERFECTLY SQUARE AND LEVEL.



⚠ WALL FIXINGS NOT SUPPLIED

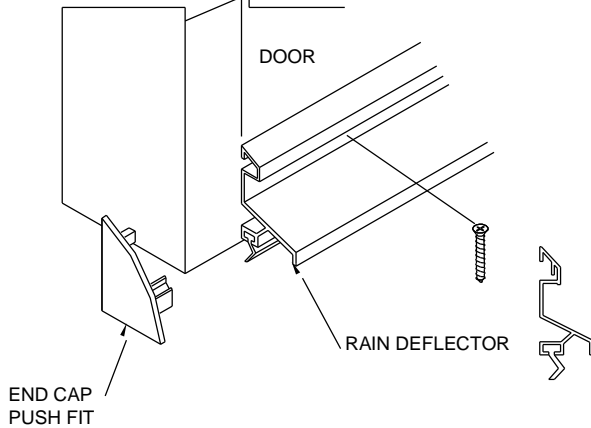
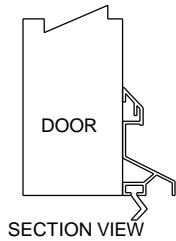
DIAGRAM 7



SCREWS FOR THE THRESHOLD FIXING ARE SUPPLIED IN THESHOLD PACK

DIAGRAM 8

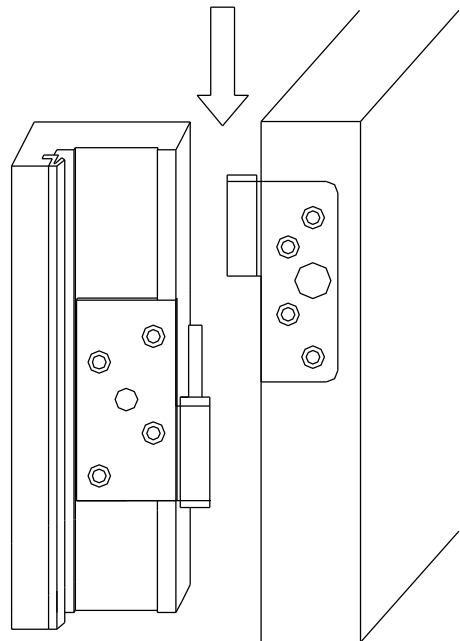
EQUAL AMOUNTS BOTH SIDES OF THE DOOR




SCREWS SUPPLIED IN RAIN DEFLECTOR PACK

DIAGRAM 9

LIFT OFF HINGES



Conformty of Product

		
<p>Premium Timber Products Ltd, Premium House, Notting Hill Way, Weare, Somerset, BS26 2JU</p> <p>Report ref: CU14343-1 DOP No: PTP-PHDS-DOP-0001</p> <p>Pre Hung door set</p>		
Essential Characteristics	Declared Performance	Harmonized technical specification
Resistance to wind load	npd	BS EN 14351-1
Water tightness	npd	
Dangerous substances	None	
Load capacity of safety devices	npd	
Thermal Transmittance	1.7W/m ² k	
Air Permeability	npd	
Acoustic Performance	npd	
Radiation properties	npd	

These instructions should be kept as proof of compliance to the CE marking requirements